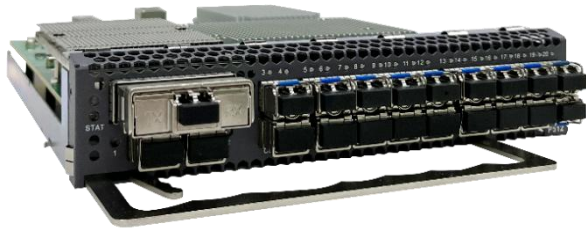


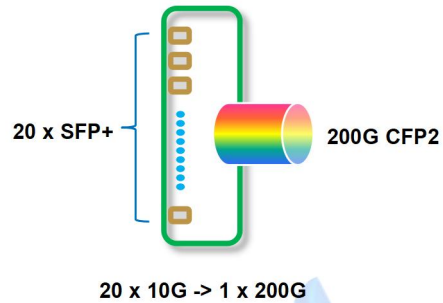
P512: 200G Muxponder(20*10G)

The 200G Muxponder service board(P512) launched by Sintai Communication carries multiple 10G~32G rate services through one 200G wavelength. The line-side uses standard 200G CFP2 pluggable coherent optical modules to provide a large-capacity, high-performance, cost-effective optical transmission solution.

Product view



Functional structure



Application scenario

- Suitable for metropolitan area networks and long-distance network transmission up to 1000km
- Suitable for large-capacity DCI network transmission in enterprises, campuses, cloud computing, etc.
- 200G links for existing OTN /DWDM infrastructure

Product specifications

200G Muxponder(P512)	
Occupied slot	2 slots
Line-side	<ul style="list-style-type: none"> ● 1 CFP2 optical port: 200G&400G CFP2 -DCO module, pluggable ● Extended C-band/ultra-wide C-band, supports Flexible Grid, 6.25GHz slice ● Support adjustable light-emitting power, the range depends on the optical module ● Support 100G / 200G programmable ● Support single-fiber bidirectional transmission(optional)
Client-side	Support 20 SFP+ modules hot-swappable
Supported service types	10GbE, 25GbE, STM-64, 10GbE_WAN, FC800, FC1600, FC3200, OTU2, OTU2e
Latency measurement	Support online delay measurement based on ODU layer on the line-side
Loopback	Support inner loop and outer loop on line-side and client-side
LLDP	Receive mode only(when the service type is Ethernet)
ALS	Client-side support(when the service type is Ethernet)
Alarm and performance monitoring	<ul style="list-style-type: none"> ● Support line-side and client-side performance monitoring and alarm monitoring ● Support Ethernet RMON monitoring ● Support monitoring of optical module temperature, current, optical power, etc. ● Support Telemetry
Typical power consumption	<90W